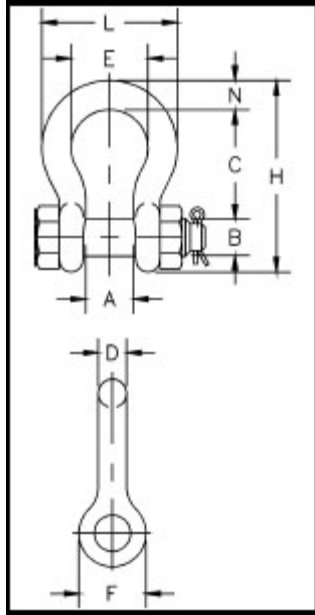


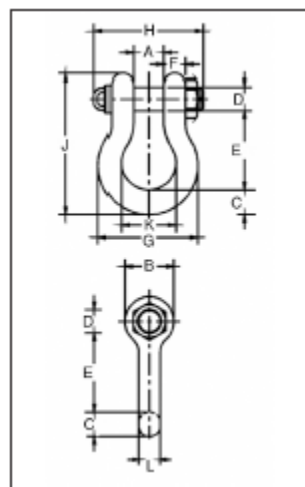


CROSBY BOLT-TYPE SHACKLE DIMENSIONS



**G-2130 & S-2130
CARBON BOLT-TYPE**

Nominal Size (in.)	Working Load Limit (t)*	Stock No.		Weight Each (lbs.)	Dimensions (in.)										Tolerance +/-	
		G-2130	S-2130		A	B	C	D	E	F	H	L	N	C	A	
3/16	1/3	1019464		.06	.38	.25	.88	.19	.60	.56	1.47	.98	.19	.06	.06	
1/4	1/2	1019466		.11	.47	.31	1.13	.25	.78	.61	1.84	1.28	.25	.06	.06	
5/16	3/4	1019468		.22	.53	.38	1.22	.31	.84	.75	2.09	1.47	.31	.06	.06	
3/8	1	1019470		.33	.66	.44	1.44	.38	1.03	.91	2.49	1.78	.38	.13	.06	
7/16	1-1/2	1019471		.49	.75	.50	1.69	.44	1.16	1.06	2.91	2.03	.44	.13	.06	
1/2	2	1019472	1019481	.79	.81	.64	1.88	.50	1.31	1.19	3.28	2.31	.50	.13	.06	
5/8	3-1/4	1019490	1019506	1.68	1.06	.77	2.38	.63	1.69	1.50	4.19	2.94	.69	.13	.06	
3/4	4-3/4	1019515	1019524	2.72	1.25	.89	2.81	.75	2.00	1.81	4.97	3.50	.81	.25	.06	
7/8	6-1/2	1019533	1019542	3.95	1.44	1.02	3.31	.88	2.28	2.09	5.83	4.03	.97	.25	.06	
1	8-1/2	1019551	1019560	5.66	1.69	1.15	3.75	1.00	2.69	2.38	6.56	4.69	1.06	.25	.06	
1-1/8	9-1/2	1019579	1019588	8.27	1.81	1.25	4.25	1.13	2.91	2.69	7.47	5.16	1.25	.25	.06	
1-1/4	12	1019597	1019604	11.71	2.03	1.40	4.69	1.29	3.25	3.00	8.25	5.75	1.38	.25	.06	
1-3/8	13-1/2	1019613	1019622	15.83	2.25	1.53	5.25	1.42	3.63	3.31	9.16	6.38	1.50	.25	.13	
1-1/2	17	1019631	1019640	20.80	2.38	1.66	5.75	1.53	3.88	3.63	10.00	6.88	1.62	.25	.13	
1-3/4	25	1019659	1019668	33.91	2.88	2.04	7.00	1.84	5.00	4.19	12.34	8.80	2.25	.25	.13	
2	35	1019677	1019686	52.25	3.25	2.30	7.75	2.08	5.75	4.81	13.68	10.15	2.40	.25	.13	
2-1/2	55	1019695	1019702	98.25	4.13	2.80	10.50	2.71	7.25	5.69	17.90	12.75	3.13	.25	.25	
3	85	1019711		154.00	5.00	3.30	13.00	3.12	7.88	6.50	21.50	14.62	3.62	.25	.25	
3-1/2	120	1019739		265.00	5.25	3.76	14.63	3.62	9.00	8.00	24.88	17.02	4.38	.25	.25	
4	150	1019757		338.00	5.50	4.26	14.50	4.00	10.00	9.00	25.68	18.00	4.56	.25	.25	



**G-2140 & S-2140
ALLOY BOLT-TYPE**

Nominal Shackle Size (in.)	Working Load Limit * (t)	Weight Each (lbs.)	Dimensions (in.)											Tolerance	
			A	B	C	D	E	F	G	H	J	K	L	A	E
1-1/2	30	20.8	2.38	3.63	1.62	1.66	5.75	1.39	6.88	7.73	10.00	3.88	1.53	.13	.25
1-3/4	40	33.9	2.88	4.19	2.25	2.04	7.00	1.75	8.80	9.33	12.34	5.00	1.84	.13	.25
2	55	52.0	3.25	4.81	2.40	2.30	7.75	2.00	10.15	10.41	13.68	5.75	2.08	.13	.25
2-1/2	85	96.0	4.12	5.81	3.12	2.71	10.50	2.62	12.75	13.58	17.70	7.25	2.71	.25	.25
3	120	178.0	5.00	6.50	3.62	3.30	13.00	3.00	14.62	15.13	21.50	7.88	3.12	.25	.25
3-1/2	150	265.0	5.25	8.00	4.38	3.76	14.63	3.75	17.02	19.00	24.88	9.00	3.62	.25	.25
4	175	338.0	5.50	9.00	4.56	4.25	14.50	4.00	18.00	19.75	25.68	10.00	4.00	.25	.25
4-3/4 **	200	450.0	7.25	10.50	6.00	4.75	15.69	3.75	21.00	20.59	29.25	11.00	4.50	.25	.25
5 **	250	600.0	8.50	12.00	6.50	5.00	20.06	3.88	24.50	22.06	35.00	13.00	4.50	.25	.25
6 **	300	775.0	8.38	12.00	6.75	6.00	19.56	6.43	25.00	24.44	35.25	13.00	5.00	.25	.25
7 **	400	1102.0	8.25	14.00	7.25	7.00	22.56	6.50	26.00	28.06	40.25	13.00	6.00	.25	.25